

SPARE PARTS LIST

S7 Regulator Unit



READ BEFORE USE

1. Only holders of a valid **INTERSPIRO SERVICE CERTIFICATE** may carry out service and repairs on **INTERSPIRO** breathing equipment. Unauthorized service may result in malfunction and users relying there on could sustain severe respiratory injury or death.
2. When using the spare part list always refer to the equipment's **SERVICE MANUAL** in regard to procedure and handling of the spare parts assembly and function.
3. Changes to this document – necessitated by typographical errors, inaccuracies of current information or improvements and changes of equipment – may be done at any time and without prior notice.
4. The **NOTE** column is used for short descriptions of the spare part, for example dimensions or number of included sub components. For example "10 x 336 100 437" indicates that this is a multi-pack that consists of 10 pieces of the single component 336 100 437.
5. The service kits contain replacement items used for preventive maintenance.
6. Always refer to **WWW.INTERSPIRO.COM** for product or document updates and for service bulletins.

PAGE OVERVIEW

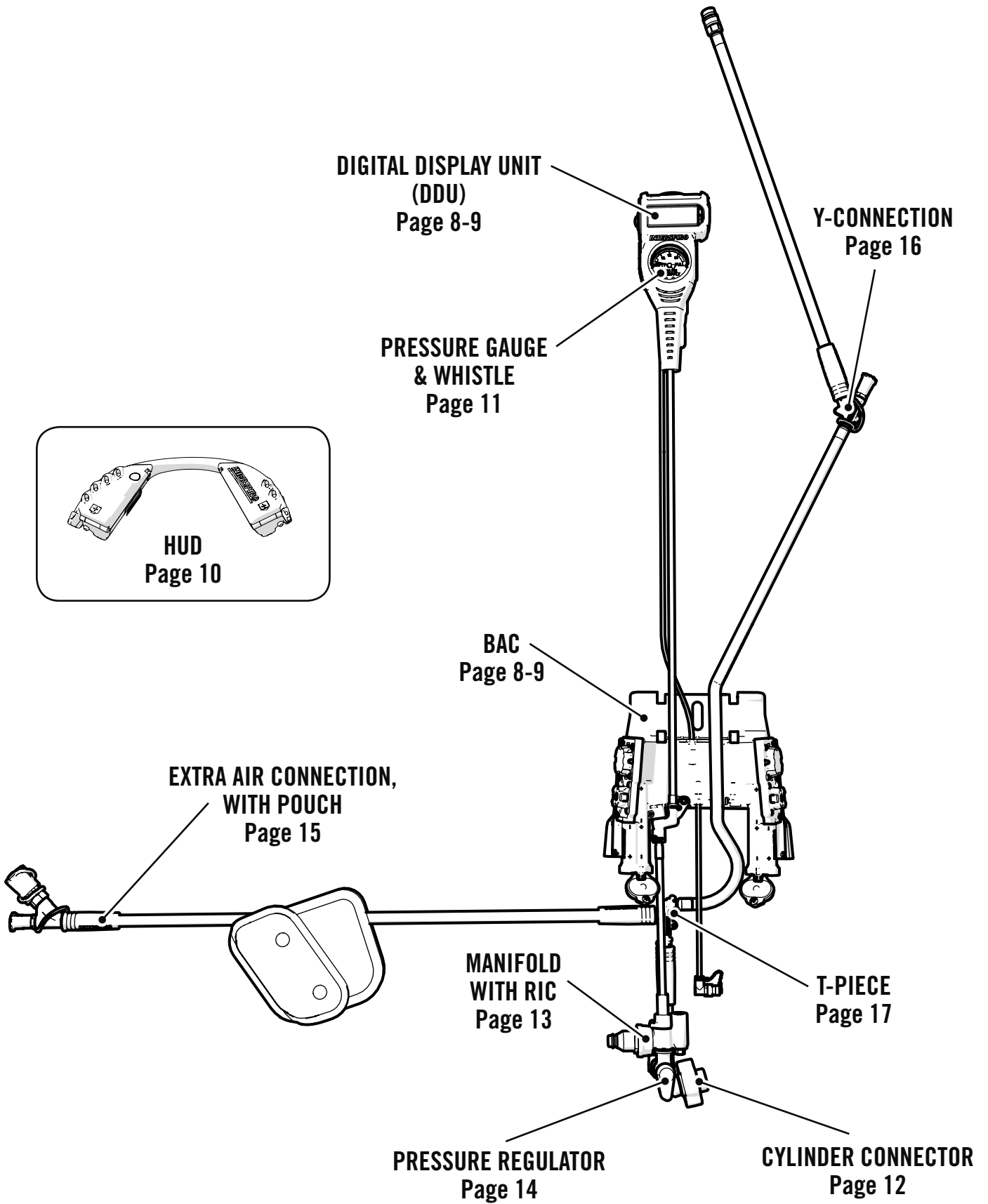


TABLE OF CONTENTS

SERVICE KITS.....	6
BAC & DIGITAL DISPLAY UNIT (DDU).....	8
HUD.....	10
PRESSURE GAUGE & WHISTLE.....	11
CYLINDER CONNECTOR.....	12
MANIFOLD WITH RIC.....	13
PRESSURE REGULATOR.....	14
EXTRA AIR CONNECTION, WITH POUCH.....	15
Y-CONNECTION.....	16
T-PIECE.....	17

SERVICE KITS

All service kits and service parts listed below shall be replaced during service.

EVERY SECOND YEAR

CYLINDER CONNECTOR

460 200 082	Service kit for 1 Cylinder connector	See page 12
460 200 045	Service kit for 1 Cylinder connector, Cylinder Quick Coupling version	See page 12

EVERY 10 YEARS

BAC & DIGITAL DISPLAY UNIT (DDU)

31 048-51	O-ring, 10-pack	See page 9
-----------	-----------------	------------

PRESSURE GAUGE AND WHISTLE

31 081-51	O-ring, 10-pack	See page 11
-----------	-----------------	-------------

CYLINDER CONNECTOR

460 200 082	Service kit for 1 Cylinder connector	See page 12
460 200 045	Service kit for 1 Cylinder connector, Cylinder Quick Coupling version	See page 12

MANIFOLD WITH RIC

460 200 087	Service kit for 1 Manifold Swivel	See page 13
31 081-51	O-ring, 10-pack	See page 13

PRESSURE REGULATOR

460 200 086	Service kit for 1 Pressure regulator	See page 14
-------------	--------------------------------------	-------------

EMERGENCY AIR CONNECTION

346 190 069	O-ring, 10-pack	See page 15
460 190 369	Cone with O-ring	See page 15

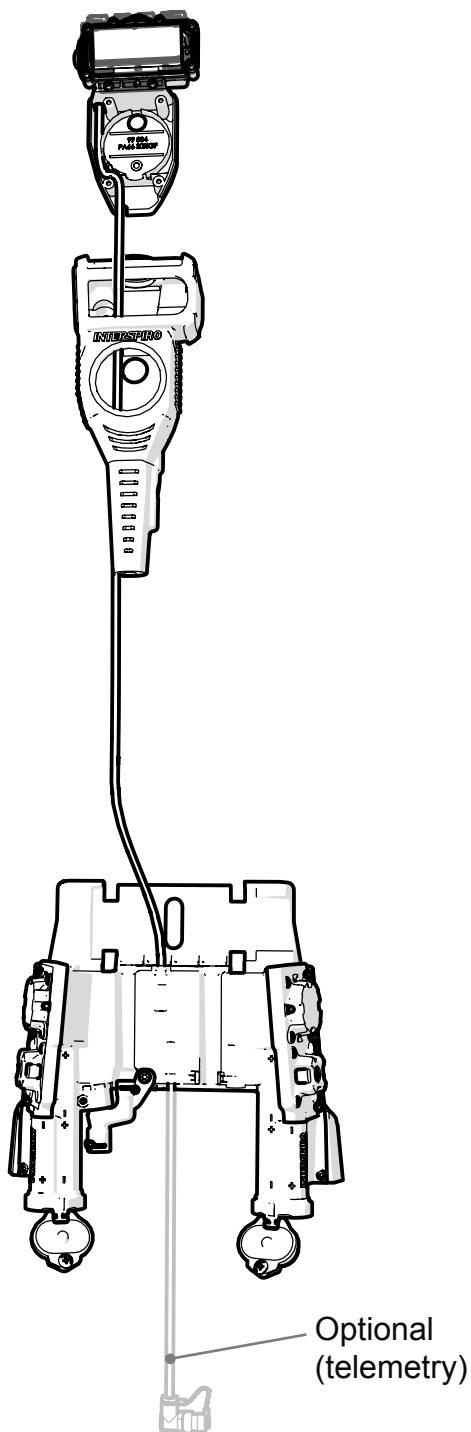
Y-CONNECTION

346 190 069	O-ring, 10-pack	See page 16
460 190 369	Cone with O-ring	See page 16
31 080-51	O-ring, 10-pack	See page 16

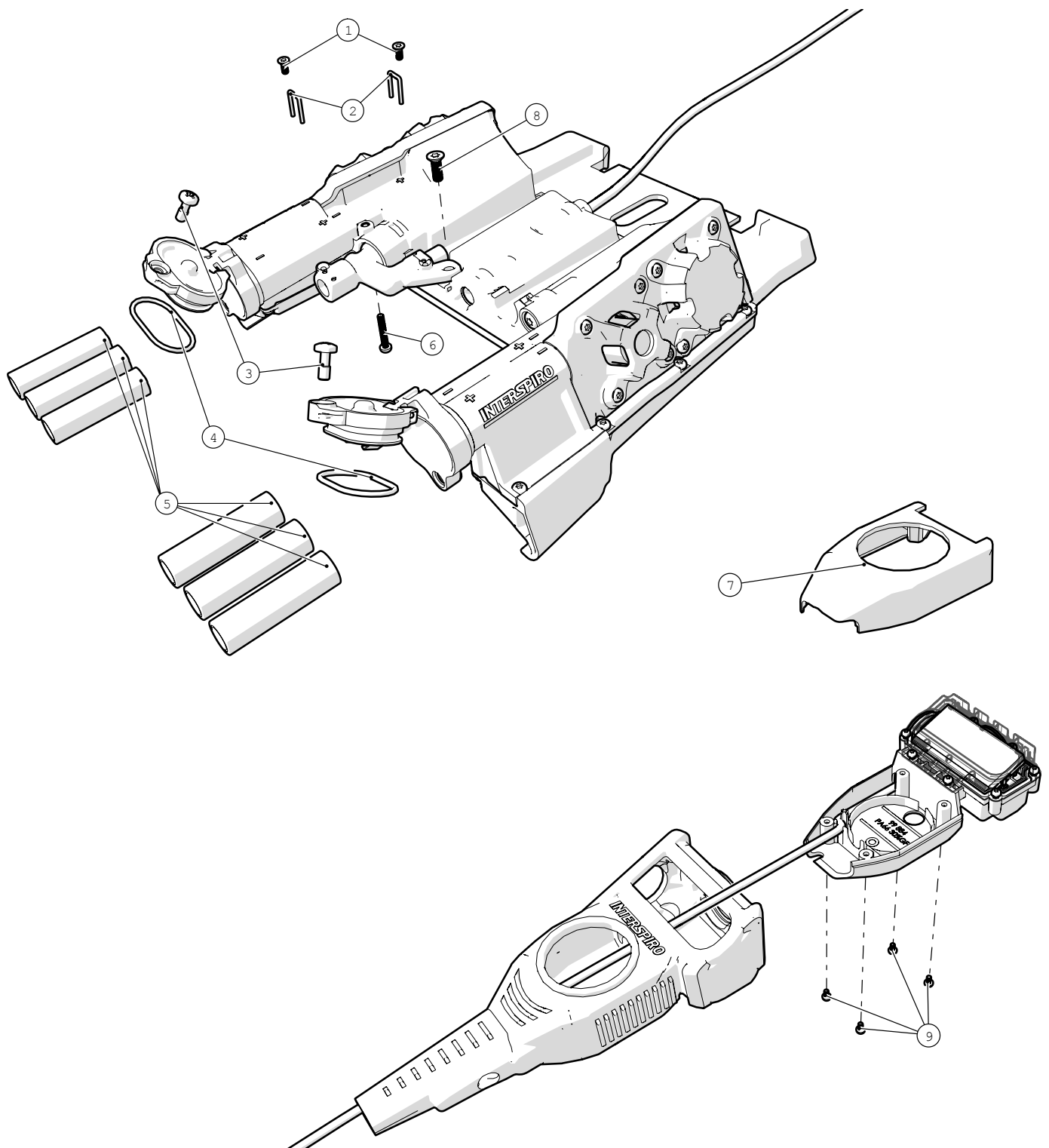
T-PIECE

31 080-51	O-ring, 10-pack	See page 17
-----------	-----------------	-------------

BAC & DIGITAL DISPLAY UNIT (DDU)

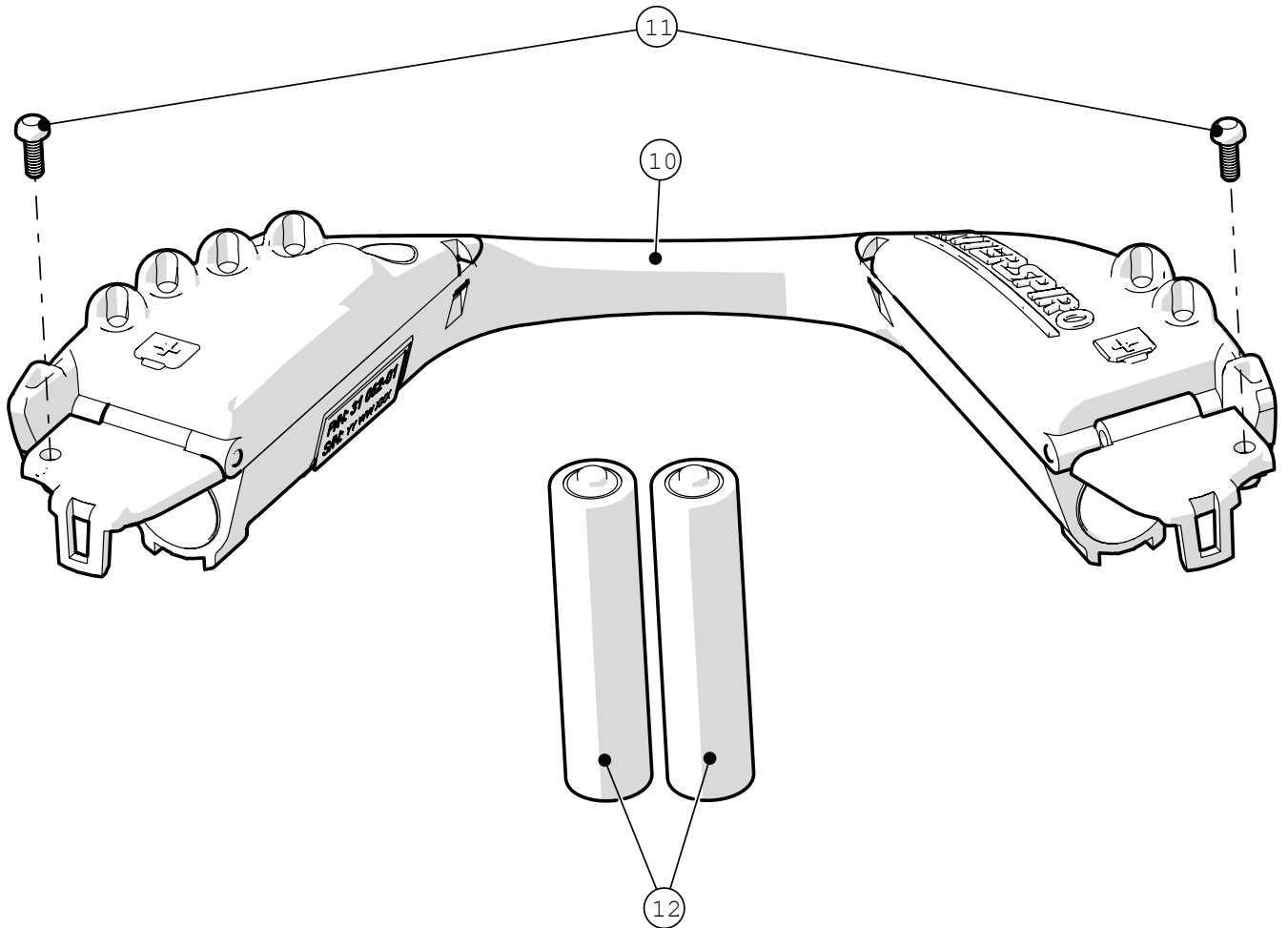


#	ORDER NO.	DESCRIPTION	NOTE
•	31 040-51	S7 BAC Unit assy, Basic 4500 psi	
•	31 040-52	S7 BAC Unit assy, with telemetry 4500 psi	
•	31 040-53	S7 BAC Unit assy, with tracking 4500 psi	
•	31 040-54	S7 BAC Unit assy, with tracking and telemetry 4500 psi	
•	31 040-61	S7 BAC Unit assy, Basic 2216 psi	
•	31 040-62	S7 BAC Unit assy, with telemetry 2216 psi	
•	31 040-63	S7 BAC Unit assy, with tracking 2216 psi	
•	31 040-64	S7 BAC Unit assy, with tracking and telemetry 2216 psi	



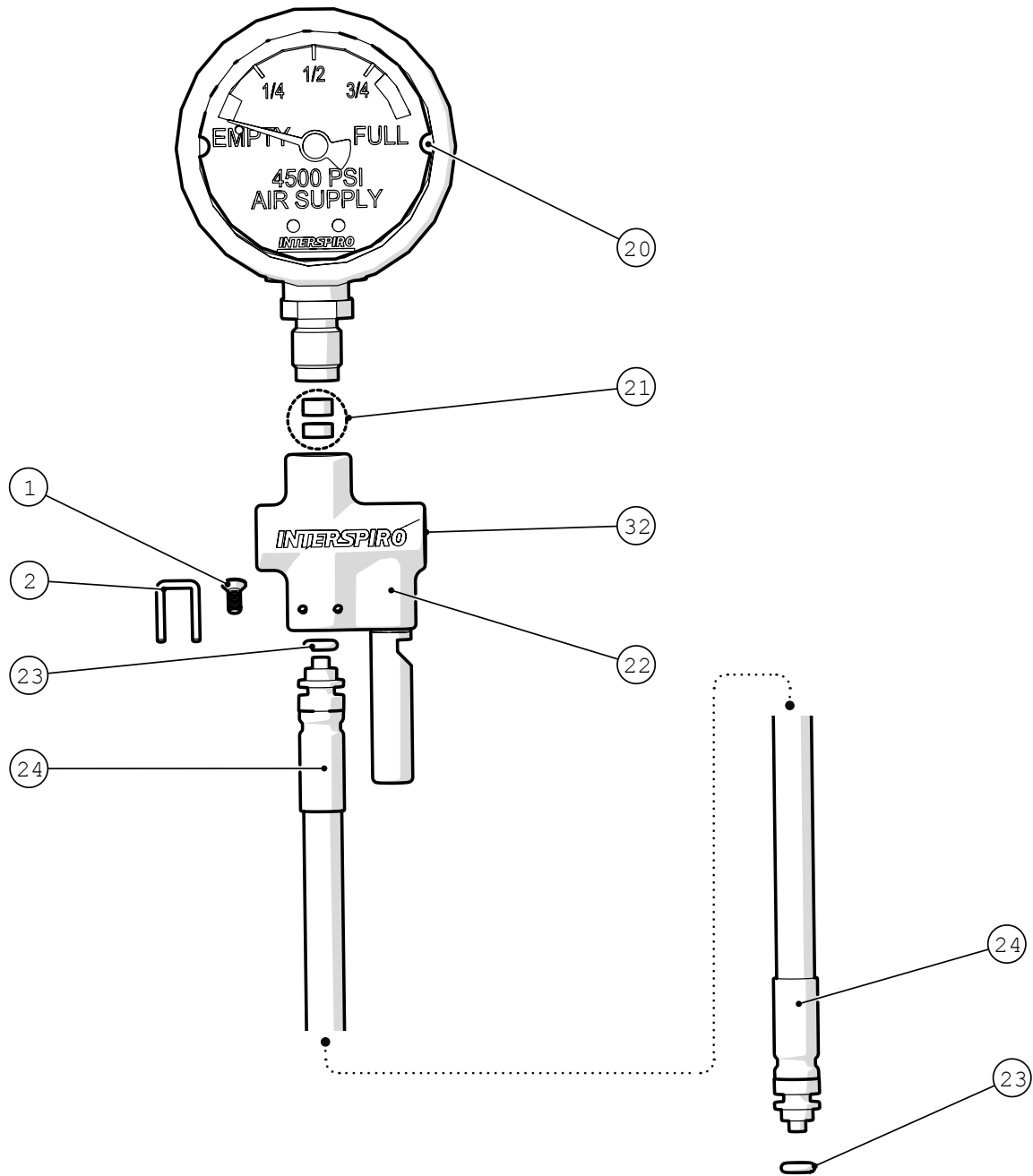
#	ORDER NO.	DESCRIPTION	NOTE
1	99 722-51	Screw	10 x 99 722-01
2	31 018-51	U-clip	10 x 31 018-01
3	99 750-51	Screw	10 x 99 750-01
4	31 048-51	O-ring	10 x 31 048-01
5a	31 078-51	Batteries AA	10 x 31 078-01
5b	31 078-52	Batteries AA	100 x 31 078-01
6	99 710-856	Screw	10 x 99 710-806
7	460 190 821	Upper part	Incl. 4 x #9
8	99 707-854	Screw	10 x 99 707-804
9	99 708-51	Screw	10 x 99 708-01

HUD



#	ORDER NO.	DESCRIPTION	NOTE
10	31 062-51	Wireless HUD	with batteries
11	99 032-51	Screw	10 x 99 032-01
12a	98 814-51	Batteries AAA	10 x 98 814-01
12b	98 814-52	Batteries AAA	100 x 98 814-01

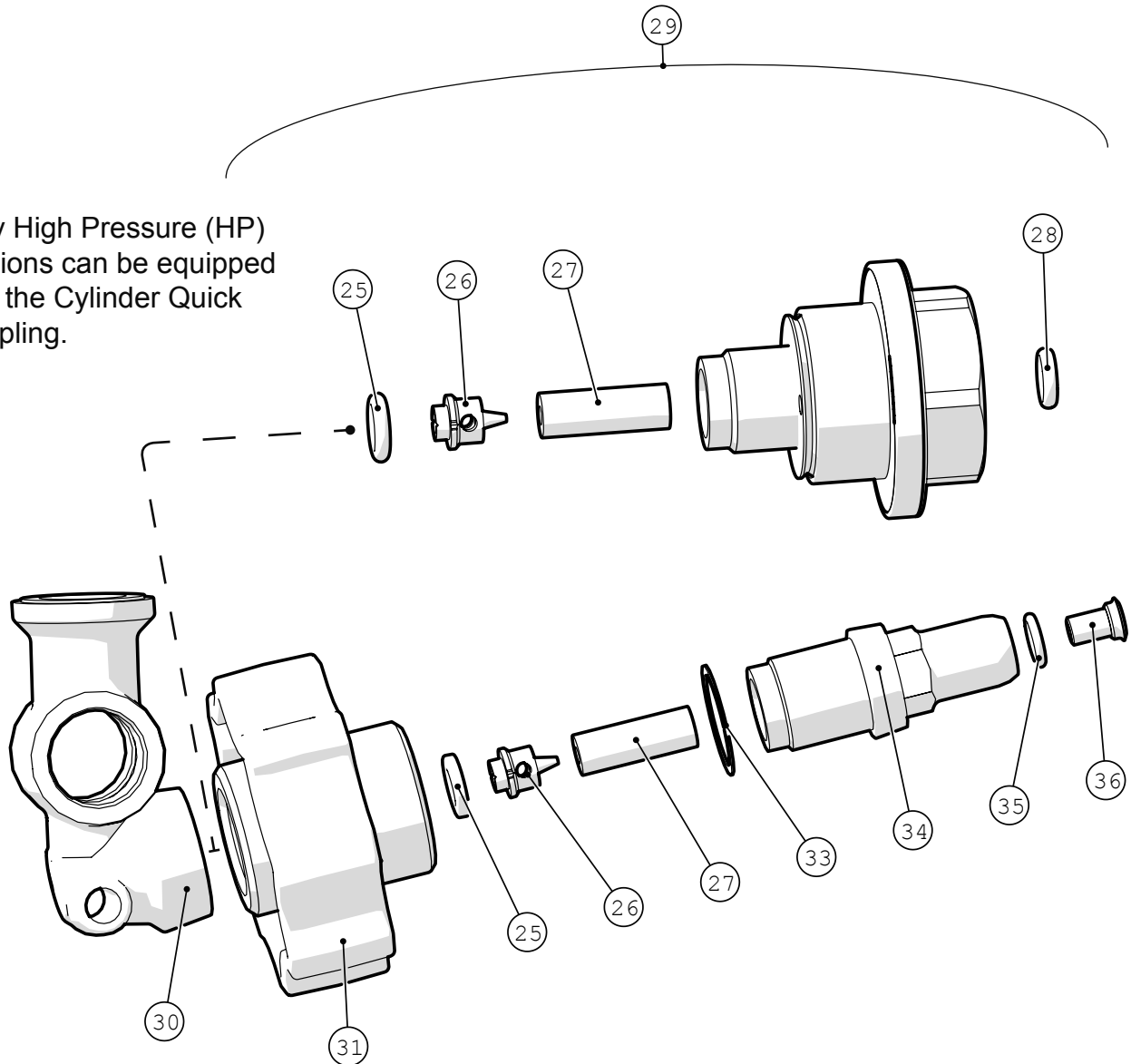
PRESSURE GAUGE & WHISTLE



#	ORDER NO.	DESCRIPTION	NOTE
1	99 722-51	Screw	10 x 99 722-01
2	31 018-51	U-clip	10 x 31 018-01
20 a	460 200 084	Pressure gauge, 4500 psi	1 x 336 890 088
20 b	460 200 085	Pressure gauge, 2216 psi	1 x 336 890 087
21	336 190 159	Gasket kit	2 sizes
22 a	31 030-53	Whistle, 4500 psi	
22 b	31 030-54	Whistle, 2216 psi	
23	31 081-51	O-ring	10 x 31 081-01
24	31 003-51	High pressure hose	Incl. 2 x #23
32	31 365-51	Sealing label	10 x 31 365-01

CYLINDER CONNECTOR

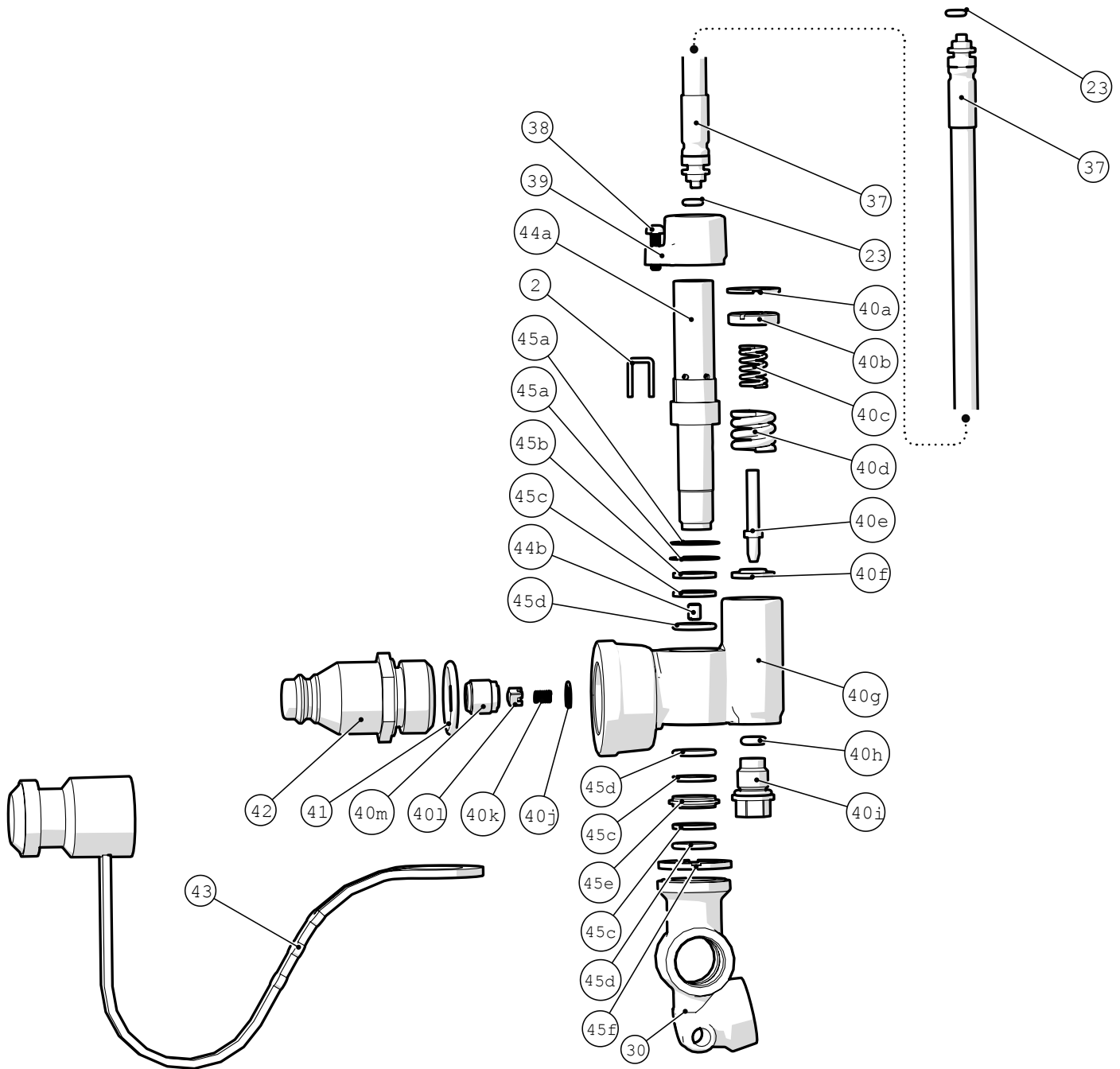
Only High Pressure (HP) versions can be equipped with the Cylinder Quick Coupling.



#	ORDER NO.	DESCRIPTION	NOTE
25	336 890 105	O-ring	10 x 336 900 183
26	460 190 059	Filter holder kit	10 x 336 100 653, 10 x 212 100 014 (#27), 10 x 336 900 183 (#25)
27a	346 190 643	Inlet filter	10 x 212 100 014
27b	346 190 644	Inlet filter	100 x 212 100 014
28	336 190 437	O-ring	10 x 336 900 182
29	30 569-51	Quick Coupling	
30	---	Manifold	
31a	460 200 088	Handwheel connector, 4500 psi	1 x 336 190 432
31b	460 200 089	Handwheel connector, 2216 psi	1 x 336 190 433
33	96 944-51	Connector washer	10 x 96 944-01
34a	460 200 090	Connection nipple, 4500 psi	1 x 336 100 652
34b	460 200 091	Connection nipple, 2216 psi	1 x 336 100 655
35	336 190 437	O-ring	10 x 336 900 182
36	460 190 060	Nipple tip and O-ring	10 x 336 100 656, 10 x 336 900 182 (# 35)

#	ORDER NO.	DESCRIPTION	NOTE
A	460 200 045	Service kit for 1 cylinder connector, Cylinder Quick Coupling version	1 x #25, #27 & #28
B	460 200 082	Service kit for 1 cylinder connector	1 x #25, #27, #33 & #35

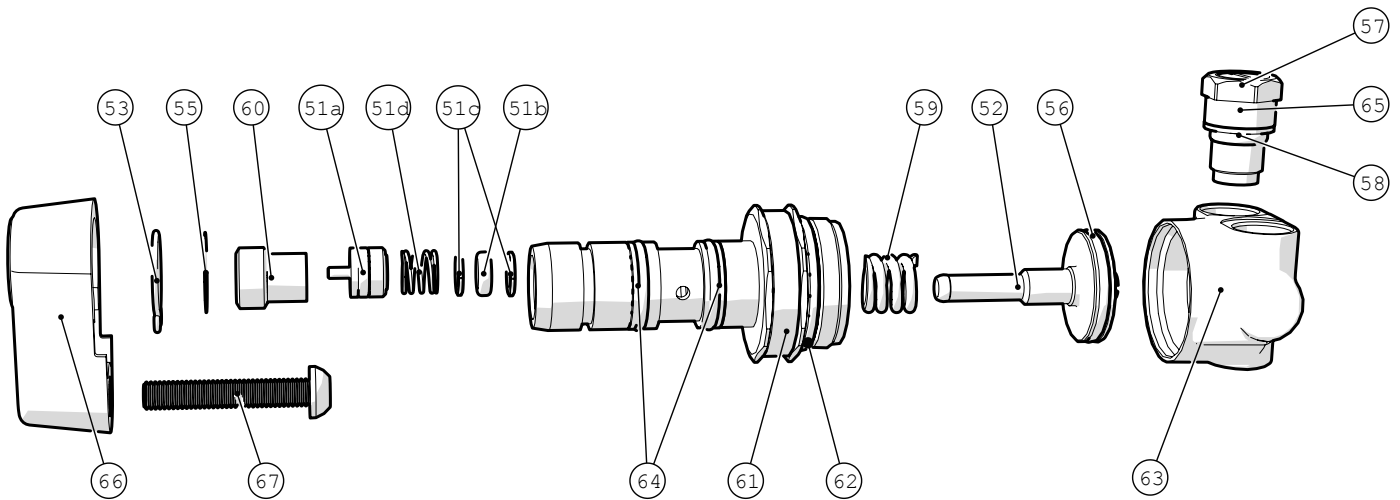
MANIFOLD WITH RIC



#	ORDER NO.	DESCRIPTION	NOTE
2	31 018-51	U-clip	10 x 31 018-01
23	31 081-51	O-ring	10 x 31 081-01
37	31 002-51	High pressure hose	Incl. 2 x #23
38	99 708-54	Screw	10 x 99 708-04
39	31 019-51	U-clip holder	10 x 31 019-01
40a	97 191-01	Swivel assy with RIC	4500 psi, Incl. #41 & #42
40b	97 191-02	Swivel assy with RIC	2216 psi, Incl. #41 & #42
41	97 186-51	O-ring	10 x 97 186-01
42	96 797-51	Male RIC coupling	1 x 96 797-01
43	96 798-51	Dust cap	1 x 96 798-01
44	31 016-51	Bolt	
45	460 190 051	Swivel kit	

#	ORDER NO.	DESCRIPTION	NOTE
A	460 200 087	Service kit for 1 Manifold swivel	3 x #45c, #45d

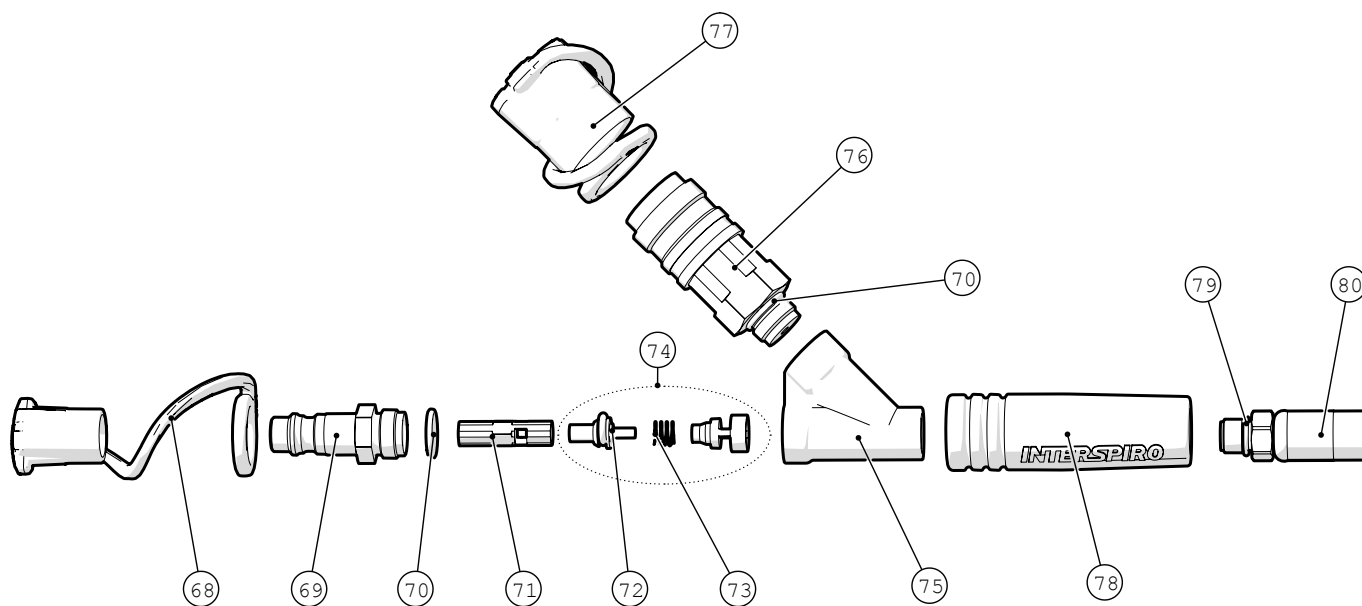
PRESSURE REGULATOR



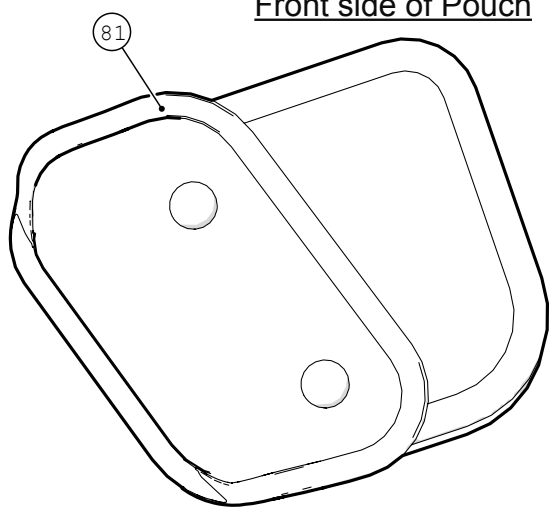
#	ORDER NO.	DESCRIPTION	NOTE
•	31 079-51	Pressure regulator	
51	346 190 023	Valve seat kit	
52	460 190 386	Piston	
53	346 190 293	Locking ring	10 x 346 100 158
54	---	<i>Not used</i>	
55	346 190 295	Sealing label	25 x 346 100 170
56	346 190 022	O-Ring	10 x 346 900 002
57	460 190 387	Safety valve	incl. # 58 & #65
58	336 190 311	O-Ring	10 x 944 610 206
59	346 190 026	Regulating spring	5 x 346 100 005
60	460 190 388	Adjusting screw	5 x 346 100 009
61	460 190 201	Protective band	5 x 95 472
62	346 190 024	O-Ring	10 x 346 900 004
63	88 193-51	Regulator cover	2-port
64a	460 190 198	O-Ring and Support rings	10 x 346 900 001, 10 x 95 471-01
64b	460 190 199	O-Ring and Support rings	50 x 346 900 001, 50 x 95 471-01
65	346 190 053	Protective band	10 x 346 100 066
66	95 909-51	Protective cover	
67	96 012-51	Screw	10 x 96 012-01

#	ORDER NO.	DESCRIPTION	NOTE
A	460 200 086	Service kit for 1 Pressure regulator	1 x #51, #53, #55, #56, #58, #61, #62, #64, #65 & #67

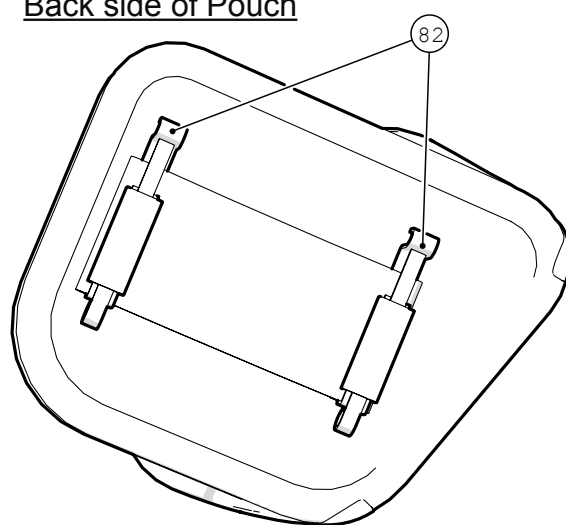
EMERGENCY AIR CONNECTION, WITH POUCH



Front side of Pouch

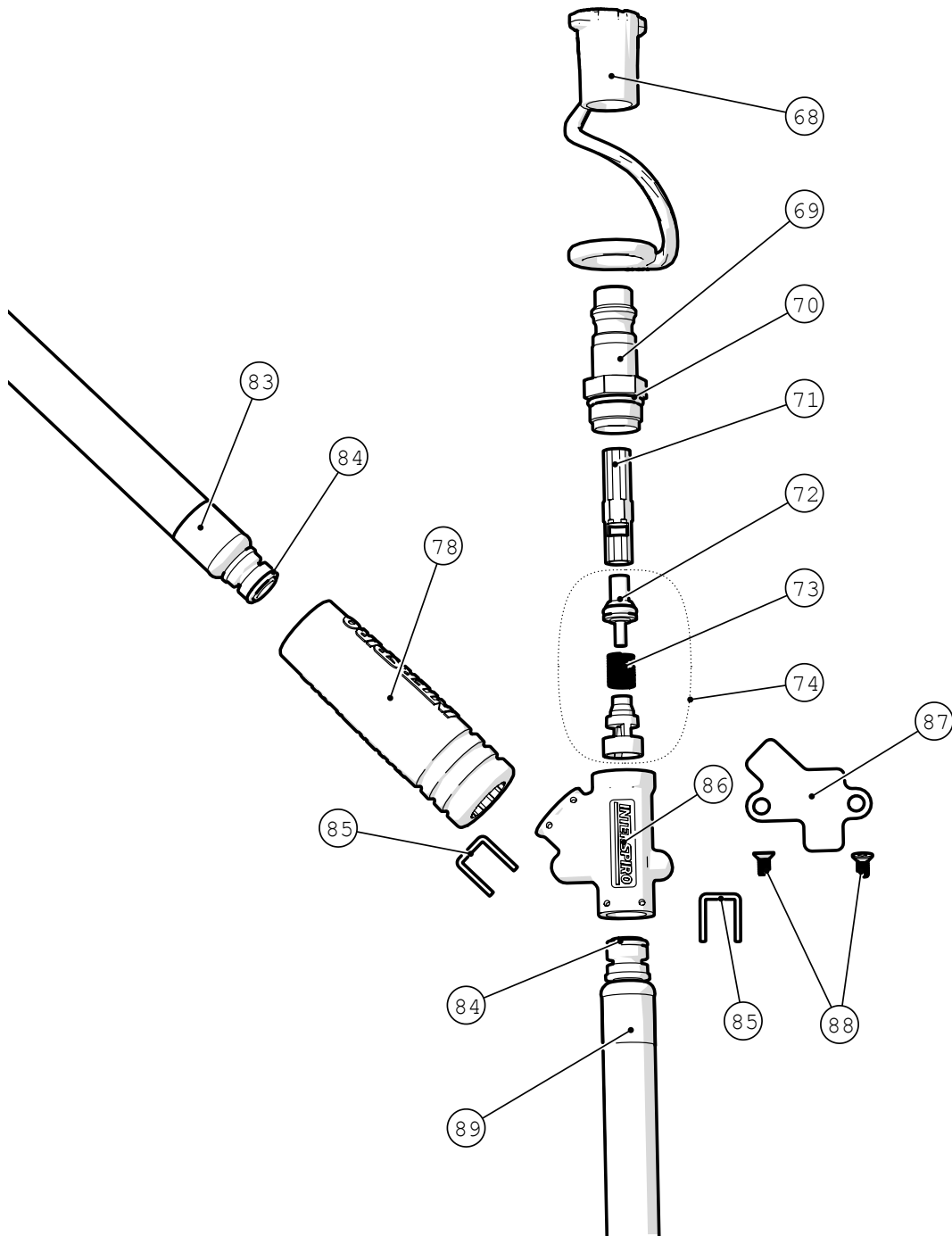


Back side of Pouch



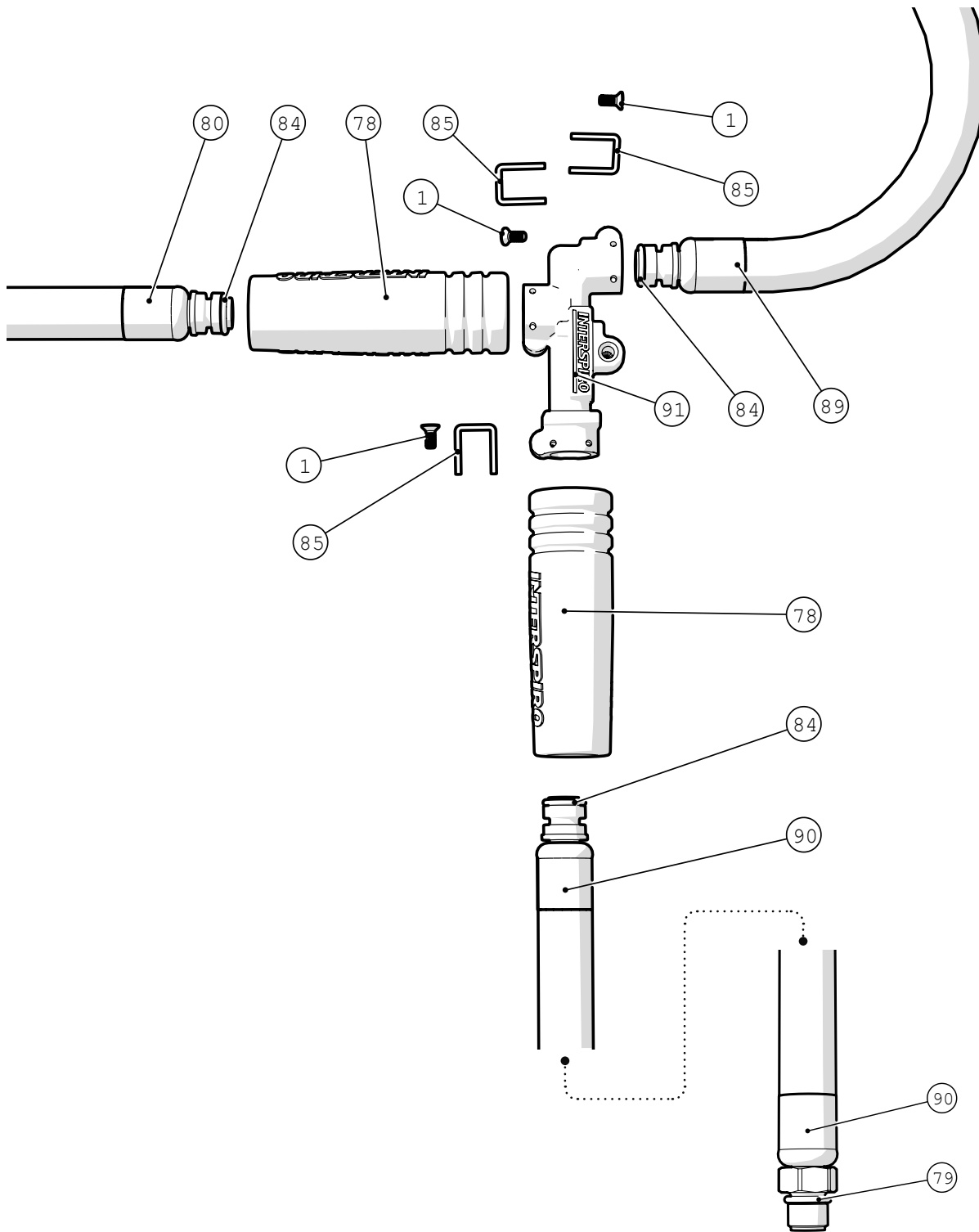
#	ORDER NO.	DESCRIPTION	NOTE
68	31 391-51	Dust cover, small	10 x 31 391-01
69	460 190 370	Quick coupling male Euro	
70	346 190 069	O-ring	10 x 944 610 210
71	460 190 371	Valve tube	
72	460 190 369	Cone with O-ring	
73	346 190 071	Spring	10 x 336 100 162
74	346 190 223	Non return valve	Incl. #72 & #73
75	---	Manifold	
76	95 244-51	Quick coupling female Euro	1 x 95 244-01
77	31 392-51	Dust cover, large	10 x 31 392-01
78	31 395-51	Hose bend restrictor	10 x 31 395-01
79	336 190 311	O-ring	10 x 944 610 206
80	31 024-52	Medium pressure hose	Incl. #78, #79 & #84
81	32 057-51	Emergency air pouch	Incl. 2 x #82
82	460 200 092	Belt clip	10 x 336 800 339

Y-CONNECTION



#	ORDER NO.	DESCRIPTION	NOTE
68	31 391-51	Dust cover, small	10 x 31 391-01
69	460 190 370	Quick coupling male Euro	
70	346 190 069	O-ring	10 x 944 610 210
71	460 190 371	Valve tube	
72	460 190 369	Cone with O-ring	
73	346 190 071	Spring	10 x 336 100 162
74	346 190 223	Non return valve	Incl. #72 & #73
78	31 395-51	Hose bend restrictor	10 x 31 395-01
83	31 852-51	Hose with QC	Incl. #78 & #84
84	31 080-51	O-ring	10 x 31 080-01
85	31 026-51	U-clip	10 x 31 026-01
86	---	Y-piece	
87	31 008-51	Clip for Y-piece	Incl. 2 x #88
88	99 710-51	Scew	10 x 99 710-01
89	31 025-51	Medium pressure hose	Incl. 2 x #84

T-PIECE



#	ORDER NO.	DESCRIPTION	NOTE
1	99 722-51	Screw	10 x 99 722-01
78	31 395-51	Hose bend restrictor	10 x 31 395-01
79	336 190 311	O-ring	10 x 944 610 206
80	31 024-52	Medium pressure hose	Incl. #78, #79 & #84
84	31 080-51	O-ring	10 x 31 080-01
85	31 026-51	U-clip	10 x 31 026-01
89	31 025-51	Medium pressure hose	Incl. 2 x #84
90	31 024-51	Medium pressure hose	Incl. #78, #79 & #84
91	---	T-piece	

INTERSPIRO

www.interspiro.com

CENTRAL EUROPE

AUSTRIA

INTERSPIRO GesmbH www.interspiro.de

Feldbacher Str. 3 A-8200 GLEISDORF AUSTRIA

TEL +43 (0)311 236 133 FAX +43 (0)311 236 133 22 E-MAIL info@interspiro.de

GERMANY

INTERSPIRO GmbH www.interspiro.de

Postfach 1220 D-76691 FORST/BADEN GERMANY

TEL +49 (0)7251 8030 FAX +49 (0)7251 2298 E-MAIL info@interspiro.de

SWITZERLAND

INTERSPIRO AG www.interspiro.de

Güterstraße 47 CH-4133 PRATTELN SWITZERLAND

TEL +41 61 827 99 77 FAX +41 61 827 99 70 E-MAIL info@interspiro.ch

THE NETHERLANDS & BELGIUM

INTERSPIRO BV www.interspiro.nl

Operetteweg 35 NL-1323 VK ALMERE NETHERLANDS

TEL +31 (0)36 5363103 FAX +31 (0)36 5384809 E-MAIL infobv@interspiro.com

NORTH & SOUTH AMERICA

INTERSPIRO Inc. www.interspiro-us.com

10225 82nd Avenue PLEASANT PRAIRIE WI 53158-5801 USA

TEL +1 262 947 9901 FAX +1 262 947 9902 E-MAIL sales@interspiro-us.com

UNITED KINGDOM & IRELAND

INTERSPIRO Ltd. www.interspiro.com

7 Hawksworth Road Central Park TELFORD Shropshire TF2 9TU UNITED KINGDOM

TEL +44 (0)1952 200 190 FAX +44 (0)1952 299 805 E-MAIL infouk@interspiro.com

SCANDINAVIA, ASIA/PACIFIC & MIDDLE EAST

SWEDEN

NORDIC & EXPORT SALES DIVISION www.interspiro.com

Box 2853 S-187 28 TÄBY SWEDEN

TEL +46 8 636 51 00 FAX +46 8 636 51 99 E-MAIL info@interspiro.com

MALAYSIA

NORDIC & EXPORT SALES DIVISION www.interspiro.com

305 & 305A Lorong Perak Taman Melawati 53100 KUALA LUMPUR MALAYSIA

TEL +60 3 4105 8122 FAX +60 3 4105 3122 E-MAIL asiapacific@interspiro.com